

PART NO.	A	B	C	END D	END E
180-3100	16'	14"	8"	N.C.	N.C.
180-3101	16'	14"	8"	2"NPT(M)	2"NPT(M)
180-3102*	19'	15-1/2'	9 1/2'	S.W.C.	S.W.C.

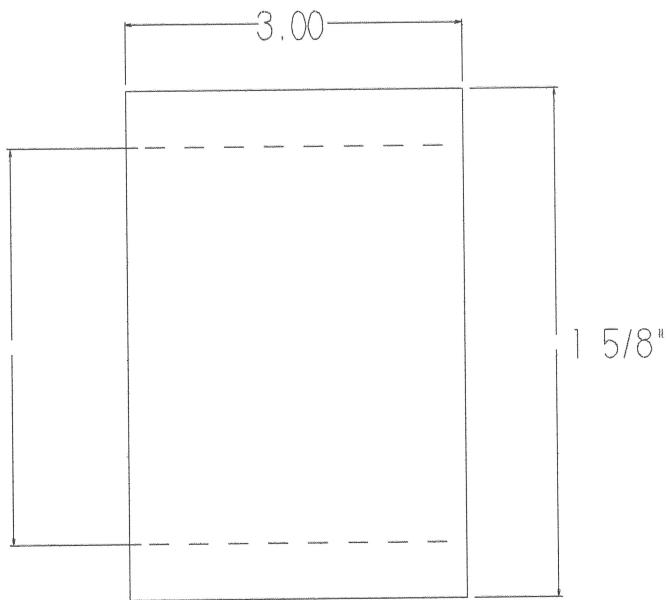
* A , B and C dimensions include S.W.C.

TOLERANCE

All saw cut dimensions are +/- 1/16' over all
 All fab dimensions are +/- 1/8' over all

<i>Innovative Machine Technology</i>			
DRWG. BY: I. M. T. STAFF	DATE 4-10-2001	TITLE: "Y" BRANCH MANIFOLDS 1' SCH. 80	
APPV. DATE 4-12-2001			
SCALE NONE	DRAWING NO: 1800	REV: 2	

1"NPT
2 PLACES

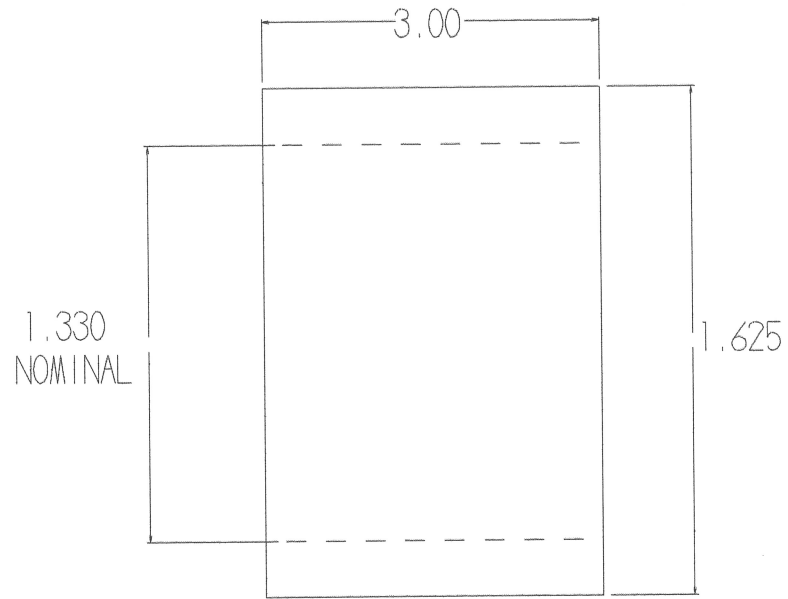


PART #180-5051
1" 3000 psi COUPLING

TOLERANCE

All saw cut dimensions are +/- 1/16" over all
All fab dimensions are +/- 1/8" over all

<i>Innovative Machine Technology</i>			
DRWG. BY:	DATE	TITLE:	
I. M. T. STAFF	4-10-2001	COUPLING PART #180-5051	
APPV. DATE		DRAWING NO:	
4-12-2001		1800	REV: 2
SCALE	NONE		

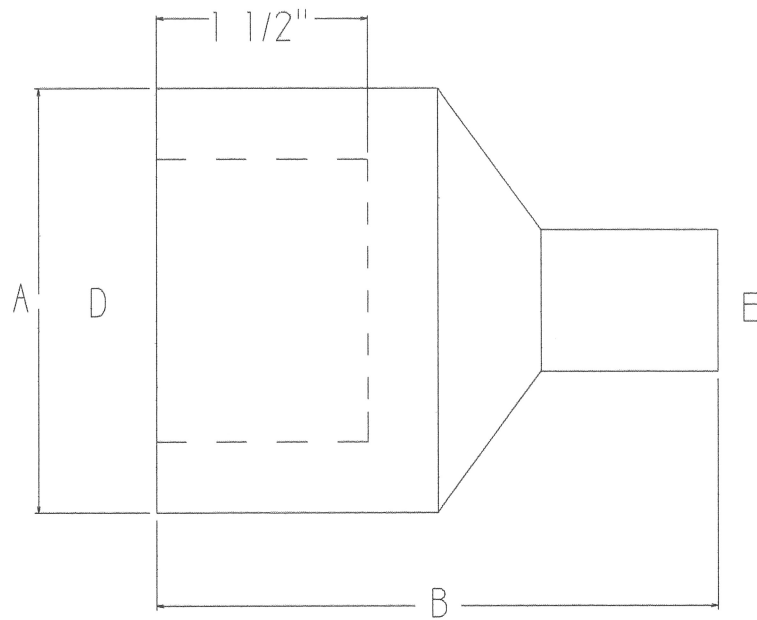


PART #180-5050
1" 3000 psi S.W.C.

TOLERANCE

All saw cut dimensions are +/- 1/16" over all
All fab dimensions are +/- 1/8" over all

<i>Innovative Machine Technology</i>			
DRWG. BY: I. M. T. STAFF	DATE 3-5-2001	TITLE: SOCKET WELD COUPLING PART #180-5050	
APPV. DATE 3-7-2001		DRAWING NO: 2600	REV: 2
SCALE	NONE		

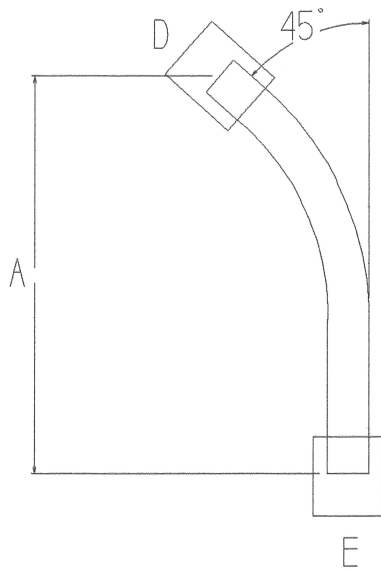


PART NO.	A	B	END D	END E
180-3123	1 7/8"	4"	1.330 I.D.	1/2"NPT(M)
180-3124	1 7/8"	4"	1.330 I.D.	3/4"NPT(M)
180-3127	1 7/8"	4"	1-1/2"NPT(F)	1/2"NPT(M)
180-3128	1 7/8"	4"	1-1/2"NPT(F)	3/4"NPT(M)

TOLERANCE

All saw cut dimensions are +/- 1/16" over all
 All fab dimensions are +/- 1/8" over all

<i>Innovative Machine Technology</i>			
DRWG. BY: I. M. T. STAFF	DATE 4-10-2001	TITLE: REDUCING COUPLINGS	
APPV. DATE 4-12-2001		1" SCH. 80	
SCALE NONE	DRAWING NO: 1800	REV: 2	



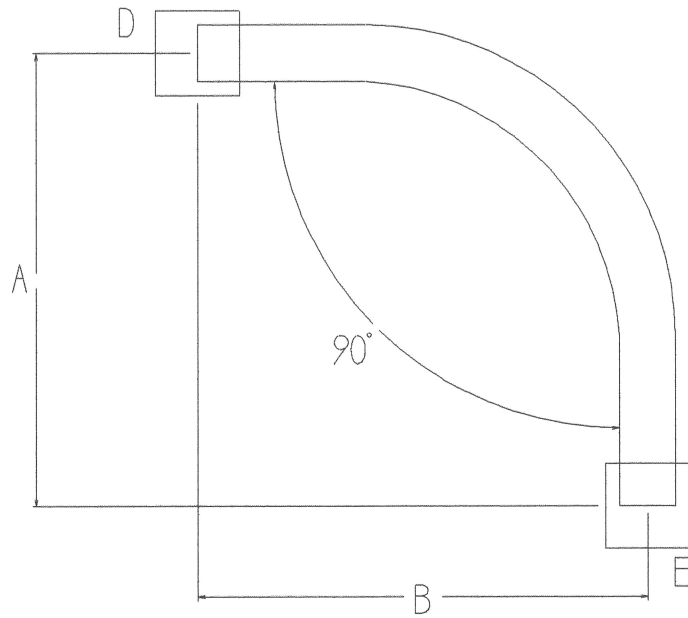
PART NO.	A	END D	END E
180-3119	14'	N.C.	N.C.
180-3120*	17'	S.W.C.	S.W.C.
180-3121	14'	2"NPT(M)	2"NPT(M)

* A dimensions include couplings

TOLERANCE

All saw cut dimensions are +/- 1/16' over all
 All fab dimensions are +/- 1/8' over all

<i>Innovative Machine Technology</i>			
DRWG. BY: I. M. T. STAFF	DATE 4-10-2001	TITLE: 45 DEGREE ELBOW	
APPV. DATE 4-12-2001		1" SCH. 80	
SCALE NONE	DRAWING NO: 1800	REV: 2	



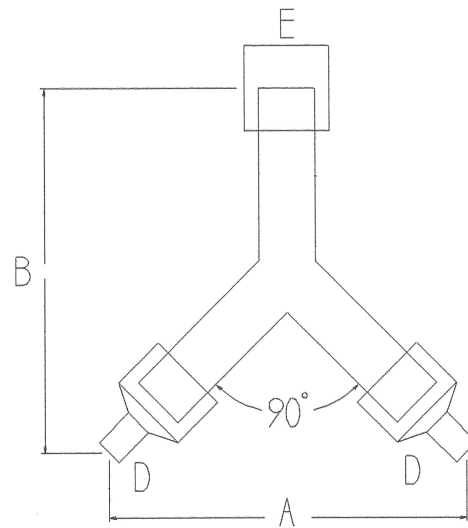
PART NO.	A	B	END D	END E
180-3112	16'	16'	N.C.	N.C.
180-3113*	17-1/2'	17-1/2'	S.W.C.	S.W.C.
180-3114*	17'	17'	2"NPT(M)	2"NPT(M)
180-3115*	18"	17-1/2'	S.W.C.	1-1/4" NPT
180-3116*	18"	17-1/2'	S.W.C.	1" NPT
180-3117*	18"	17-1/2'	S.W.C.	3/4" NPT
180-3118*	18"	17-1/2'	S.W.C.	1/2" NPT

* A and B dimensions include couplings

TOLERANCE

All saw cut dimensions are +/- 1/16" over all
All fab dimensions are +/- 1/8" over all

<i>Innovative Machine Technology</i>		
DRWG. BY: I. M. T. STAFF	DATE 4-10-2001	TITLE: 90 DEGREE ELBOW 1" SCH. 80
APPV. DATE 4-12-2001	SCALE NONE	DRAWING NO: 1800
		REV: 2



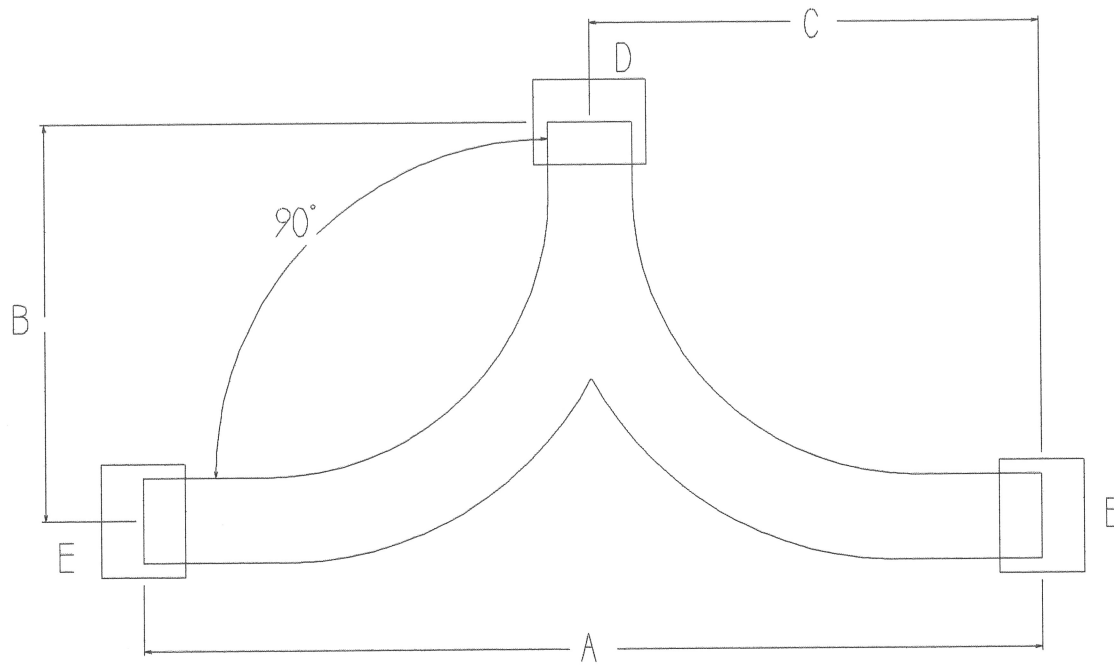
PART NO.	A	B	END D	END E
180-3106	11 1/2'	13'	N.C.	N.C.
180-3107	11 1/2'	13'	2"NPT(M)	2"NPT(M)
180-3108	15'	14'	1 1/4"NPT	N.C.
180-3109	15'	14'	1' NPT	N.C.
180-3110	15'	14'	3/4" NPT	N.C.
180-3111	15'	14'	1/2' NPT	N.C.
180-3108-SWC*	15'	15 1/2'	1 1/4"NPT	S.W.C.
180-3109-SWC*	15'	15 1/2'	1' NPT	S.W.C.
180-3110-SWC*	15'	15 1/2'	3/4' NPT	S.W.C.
180-3111-SWC*	15'	15 1/2'	1/2' NPT	S.W.C.

* A and B dimensions include couplings

TOLERANCE

All saw cut dimensions are +/- 1/16' over all
All fab dimensions are +/- 1/8' over all

<i>Innovative Machine Technology</i>			
DRWG. BY: I. M. T. STAFF	DATE 4-10-2001	TITLE: 'Y' DROP 1" SCH. 80	
APPV. DATE 4-12-2001		DRAWING NO:	REV:
SCALE NONE	1800	2	



PART NO.	A	B	C	END D	END E
180-3103	32"	14"	16"	N.C.	N.C.
180-3104	32"	14"	16"	2"NPT(M)	2"NPT(M)
180-3105*	35"	15-1/2"	17 1/2"	S.W.C.	S.W.C.

* A , B and C dimensions include S.W.C.

TOLERANCE

All saw cut dimensions are +/- 1/16" over all
 All fab dimensions are +/- 1/8" over all

*Innovative Machine
 Technology*

DRWG. BY: I. A. T. STAFF	DATE 4-10-2001	TITLE: CENTER 'Y' MANIFOLDS 1" SCH. 80
APPV. DATE 4-12-2001		
SCALE NONE	DRAWING NO: 1800	REV: 2